

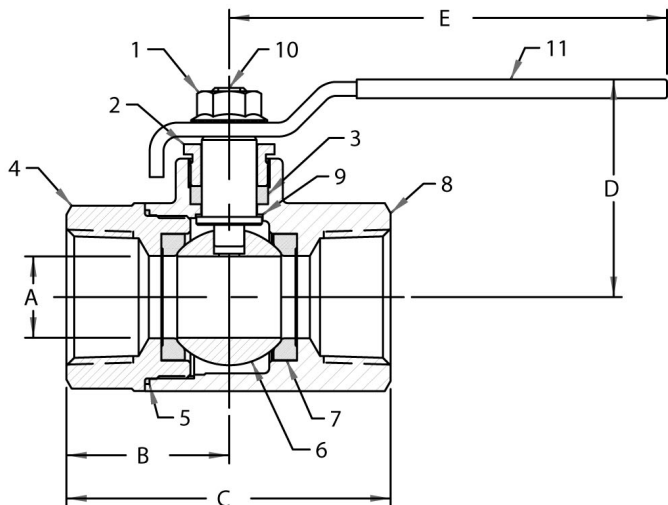
73A-100 series

carbon steel ball valve

female NPT thread, 1/4" to 1" 2000 CWP (psig), 1-1/4" to 2" 1500 CWP (psig), cold non-shock. 150 psig saturated Steam.
 (see referenced P/T chart)
 vacuum Service to 29 inches Hg.
 MSS SP-110 compliant.
 AAR approved #E999032

features

- forged construction
- raised handle stops
- blowout-proof stem design
- adjustable packing gland
- zinc phosphate corrosion protection
- fire safe to API 607 (requires -24 suffix)



standard material list

	part	material
1	lever nut	steel, zinc plated
2	gland nut	A108-CS
3	stem packing	MPTFE
4	retainer	A216-WCB
5	body seal	RPTFE (1/2" to 2")
6	ball	ASTM A108, carbon steel, chrome plated or ASTM A276, type 316 stainless steel
7	seat (2)	RPTFE
8	body	A105
9	stem bearing	RPTFE
10	stem	ASTM A108, carbon steel or ASTM A276, type 316 stainless Steel
11	lever/grip	steel, zinc plated, with vinyl

dimensions

part no.	size	A	B	C	D	E	WT.
73A10101A	1/4"	0.38	1.03	2.05	1.72	3.85	0.58
73A10201A	3/8"	0.38	1.03	2.05	1.72	3.85	0.54
73A10301A	1/2"	0.50	1.12	2.23	1.78	3.88	0.63
73A10401A	3/4"	0.68	1.47	2.97	2.05	4.75	1.27
73A10501A	1"	0.87	1.65	3.32	2.18	4.75	2.20
73A10601	1-1/4"	1.00	1.98	3.97	2.72	5.50	3.74
73A10701	1-1/2"	1.25	2.17	4.35	3.20	7.76	5.30
73A10801	2"	1.50	2.73	5.44	3.27	7.75	8.03

variations available

- 73A-140 series (316 SS Ball & Stem. NACE MR0175 (2000) & MR0103 (2003) compliant)

options available

(MORE INFORMATION IN SECTION J)

- minimum quantities apply
- to specify an option, replace the "01" standard suffix with the suffix of the option.
- to specify multiple options, replace the "01" suffix with the desired suffixes in the numerical order shown below. note: not all suffixes can be combined together.

note: all options and materials listed are not available for all valves and sizes listed. pricing may be subjected to minimum requirements and material availability.

(suffix)	option	sizes
-01	standard configuration	all
-P -01	BSPP (parallel) thread connection	all
-T -01	BSPT (tapered) thread connection	all
-02-	stem grounded	all
-04-	2-1/4" stem extension (carbon steel, zinc plated)	all
-07-	steel tee handle	1/4" to 1-1/2"
-08-	90° reversed stem	all
-10-	ss lever & nut	all
-14-	vented ball	all
-15-	wheel handle, steel	1/4" to 1-1/2"
-16-	chain lever - vertical	3/4" to 2"
-21-	uhmwpe trim (non tfe)	all
-24-	graphite packing, ptfe body seal, rptfe bearing (api 607, 6th edition, iso 10497:2010)	all
-27-	ss latch-lock lever & nut	all
-30-	cam-lock & grounded	all
-32-	ss tee handle & nut	all
-35-	ptfe trim	all
-39-	ss hi-rise locking round handle, ss nut	all
-40-	cyl-loc & grounded	all
-45-	less lever & nut	all
-47-	ss oval latch-lock handle & nut	all
-48-	ss oval handle (no latch) & nut	all
-50-	2-1/4" cs locking stem extension	all
-52-	two tack welds	all
-56-	multi-fill seats	all
-58-	chain lever - horizontal	3/4" to 2"
-60-	static grounded ball & stem	all
-64-	250# Steam Trim (MPTFE Seats & Packing) Use with 316 SS Ball & Stem Variation	All
-67-	Cleaned for Industrial Gas - CS Valves	All
-UA-	AIS (American Iron & Steel) Compliant	All

**Pressure/Temperature Ratings -
 Page M-14, Graph No. 13 (1/4" to 1")
 Page M-13, Graph No. 11 (1-1/4" to 2")**

REV. 03AUG22

the listed c_v "factors" are derived from actual flow testing, at apollo's pageland, south carolina factory. these tests were completed using standard "off the shelf" valves with no special preparation and utilizing standard schedule 40 pipe. it should be understood that these factors are for the valve only and also include the connection configuration. the flow testing is done utilizing water as a fluid media and is a direct statement of the gallons of water flowed per minute with a 1 psig pressure differential across the valve/ connection unit. line pressure is not a factor. because the c_v is a factor, the formula can be used to estimate flow of most media for valve sizing.

flow of liquid

$$Q = C_v \sqrt{\frac{\Delta P}{SpGr}}$$

$$\text{or } \Delta P = \frac{(Q)^2 (SpGr)}{(C_v)^2}$$

where:

- q = flow in us gpm
- Δp = pressure drop (psig)
- spgr = specific gravity at flowing temperature
- c_v = valve constant

flow of gas

$$Q = 1360 C_v \sqrt{\frac{(\Delta P) (P_2)}{(SpGr) (T)}}$$

$$\text{or } \Delta P = \frac{5.4 \times 10^{-7} (SpGr) (T) (Q)^2}{(C_v)^2 (P_2)}$$

where:

- q = flow in scfh
- Δp = pressure drop (psig)
- spgr = specific gravity (based on air = 1.0)
- p_2 = outlet pressure-psia (psig + 14.7)
- t = (temp. °f + 460)
- c_v = valve constant

CAUTION: the gas equation shown, is valid at very low pressure drop ratios. the gas equation is not valid when the ratio of pressure drop (ΔP) to inlet pressure (P_1) exceeds 0.02.

NOTE: only use the gas equation shown if $(P_1 - P_2) / P_1$ is less than 0.02.

CV factors for apollo valves (continued on M-4)

valve	size (IN.)														
	1/4	3/8	1/2	3/4	1	1.25	1.5	2	2.5	3	4	6	8	10	12
70B-140 series	8.4	7.2	15	30	43	48	84	108	190	370	670	--	--	--	--
70-100/200 series	8.4	7.2	15	30	43	48	84	108	190	370	670	--	--	--	--
70-300/400 series	--	--	15	30	43	48	84	108	--	--	--	--	--	--	--
70-600 series	2.3	4.5	5.4	12	14	21	34	47	--	--	--	--	--	--	--
70-800 series	8.4	7.2	15	30	43	48	84	--	--	--	--	--	--	--	--
71-AR series	--	--	--	30	43	48	84	108	190	370	--	--	--	--	--
71-100/200 series	--	--	--	30	43	48	84	108	190	370	--	--	--	--	--
72-100/900 series	--	--	26	48	65	125	170	216	--	--	--	--	--	--	--
72-1xx-A/72-9xx-A series	--	--	26	48	65	125	170	245	--	--	--	--	--	--	--
73A-100 series	8.4	7.2	15	30	43	48	84	108	--	--	--	--	--	--	--
73-300/400 series	--	--	26	48	65	125	170	216	--	--	--	--	--	--	--
74-100 series	8.4	7.2	15	30	43	48	84	108	190	370	670	--	--	--	--
75-100 series	8.4	7.2	15	30	43	48	84	108	190	370	670	--	--	--	--
76-AR series	8.4	7.2	15	30	43	48	84	108	190	370	670	--	--	--	--
76F-100 series	8.1	15	15	51	68	125	177	389	--	--	--	--	--	--	--
76FJ-100 series	8.1	15	15	51	68	125	177	389	--	--	--	--	--	--	--
76FK-100 series	8.1	15	15	51	68	125	177	389	--	--	--	--	--	--	--
76-100 series	8.4	7.2	15	30	43	48	84	108	190	370	--	--	--	--	--
76-300/400 series	--	--	26	48	65	125	170	216	--	--	--	--	--	--	--
76-600 series	2.3	4.5	5.4	12	14	21	34	47	--	--	--	--	--	--	--
76J-100 series	8.4	7.2	15	30	43	48	84	108	190	370	--	--	--	--	--
76J-AR series	8.4	7.2	15	30	43	48	84	108	190	370	670	--	--	--	--
76K-100 series	8.4	7.2	15	30	43	48	84	108	190	370	--	--	--	--	--
76K-AR series	8.4	7.2	15	30	43	48	84	108	190	370	670	--	--	--	--
7K-100 series	--	--	15	51	68	125	177	389	503	--	--	--	--	--	--
77-AR series	8.1	15	15	51	68	--	177	389	--	--	--	--	--	--	--

flow data

FOR APOLLO BALL VALVES

CV factors for apollo valves (continued from M-3)

valve	size (in.)														
	1/4	3/8	1/2	3/4	1	1.25	1.5	2	2.5	3	4	6	8	10	12
77C-100/200 series	4.5	7.2	16	36	68	125	177	389	503	--	--	--	--	--	--
77D-140 series	4.5	7.2	16	36	68	125	177	389	--	--	--	--	--	--	--
77D-640 series	--	--	--	11	24	35	--	--	--	--	--	--	--	--	--
77G-UL series	4.5	7.2	16	36	68	125	177	389	503	--	--	--	--	--	--
77W series	--	--	16	36	68	125	177	389	--	--	--	--	--	--	--
77-100/200 series	8.1	15	15	51	68	125	177	389	503	--	--	--	--	--	--
79 series	8.5	8.5	9.8	32	44	66	148	218	440	390	--	--	--	--	--
80 series	8.4	7.2	15	30	43	48	84	108	190	370	--	--	--	--	--
82-100/200 series	8.1	14	26	51	68	120	170	376	510	996	1893	--	--	--	--
83A/83B series	8.1	14	26	51	68	120	170	376	--	--	--	--	--	--	--
83R-100/200 series	--	--	--	--	--	--	170	376	--	996	1893	--	--	--	--
86A/86B series	8.1	14	26	51	68	120	170	376	--	--	--	--	--	--	--
86R-100/200 series	--	--	--	--	--	--	170	376	--	996	1893	--	--	--	--
87A-100 series	--	--	--	--	--	--	86	104	234	375	673	1099	1902	3890	--
87A-200 series	--	--	15	19	75	--	195	410	545	1021	2016	4837	9250	15170	22390
87A-700 series	--	--	--	--	--	--	86	104	234	375	673	1099	1902	3890	--
87A-900 series	--	--	15	19	75	--	195	410	545	1021	2016	4837	9250	15170	22390
87A-F00 series	--	--	--	--	75	--	195	410	545	1021	2016	4837	--	--	--
87B-100 series	--	--	--	--	--	--	--	--	--	375	673	1099	1902	3890	--
87J-100 series	--	--	--	--	--	--	86	104	234	375	673	1099	1902	3890	--
87J-200 series	--	--	15	19	75	--	195	410	545	1021	2016	4837	9250	15170	22390
87J-700 series	--	--	--	--	--	--	86	104	234	375	673	1099	1902	3890	--
87J-900 series	--	--	15	19	75	--	195	410	545	1021	2016	4837	9250	15170	22390
87K-100 series	--	--	--	--	--	--	86	104	234	375	673	1099	1902	3890	--
87K-200 series	--	--	15	19	75	--	195	410	545	1021	2016	4837	9250	15170	22390
87K-700 series	--	--	--	--	--	--	86	104	234	375	673	1099	1902	3890	--
87K-900 series	--	--	15	19	75	--	195	410	545	1021	2016	4837	9250	15170	22390
88A-100 series	--	--	--	--	--	--	86	104	234	375	673	1099	1902	3890	--
88A-200 series	--	--	15	19	75	--	195	410	545	1021	2016	4837	9250	15170	22390
88A-700 series	--	--	--	--	--	--	86	104	234	375	673	1099	1902	3890	--
88A-900 series	--	--	15	19	75	--	195	410	545	1021	2016	4837	9250	15170	22390
88A-F00 series	--	--	--	--	75	--	195	410	545	1021	2016	4837	--	--	--
88B-100 series	--	--	--	--	--	--	--	--	--	375	673	1099	1902	3890	--
89-100 series	8.4	7.2	15	30	43	48	84	108	190	370	--	--	--	--	--
9A-100 series	8.3	6.7	5.7	10	16	25	40	62	--	--	--	--	--	--	--
90-100 series	8.3	6.7	5.7	10	16	25	40	62	--	--	--	--	--	--	--
92-100 series	8.3	6.7	5.7	10	16	25	40	62	--	--	--	--	--	--	--
93-100 series	8.3	6.7	5.7	10	16	25	40	62	--	--	--	--	--	--	--
94A-100/200 series	6	7	19	34	50	104	268	309	629	1018	1622	--	--	--	--
96-100 series	8.3	6.7	5.7	10	16	25	40	62	--	--	--	--	--	--	--
399-100 series	8.4	7.2	15	30	43	48	84	108	190	370	--	--	--	--	--
489-100 series	8.4	7.2	15	30	43	48	84	108	190	370	--	--	--	--	--



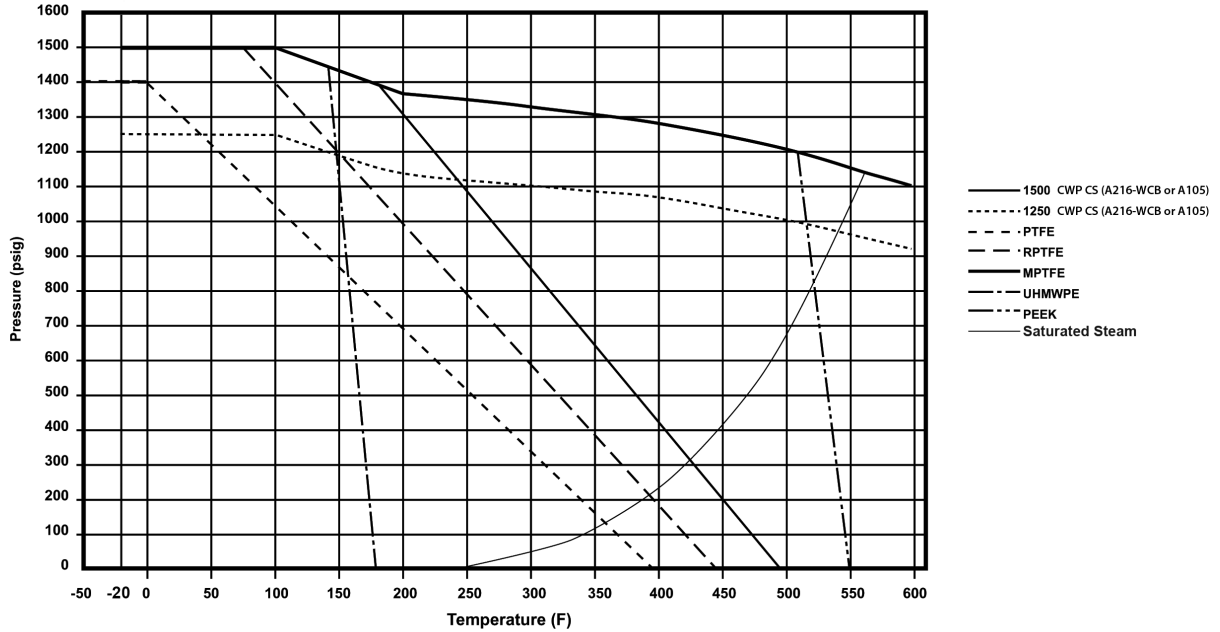
PRESSURE/TEMPERATURE RATINGS

ENGINEERING DATA

1500 CWP

(CS) ASTM A216-WCB OR ASTM A105

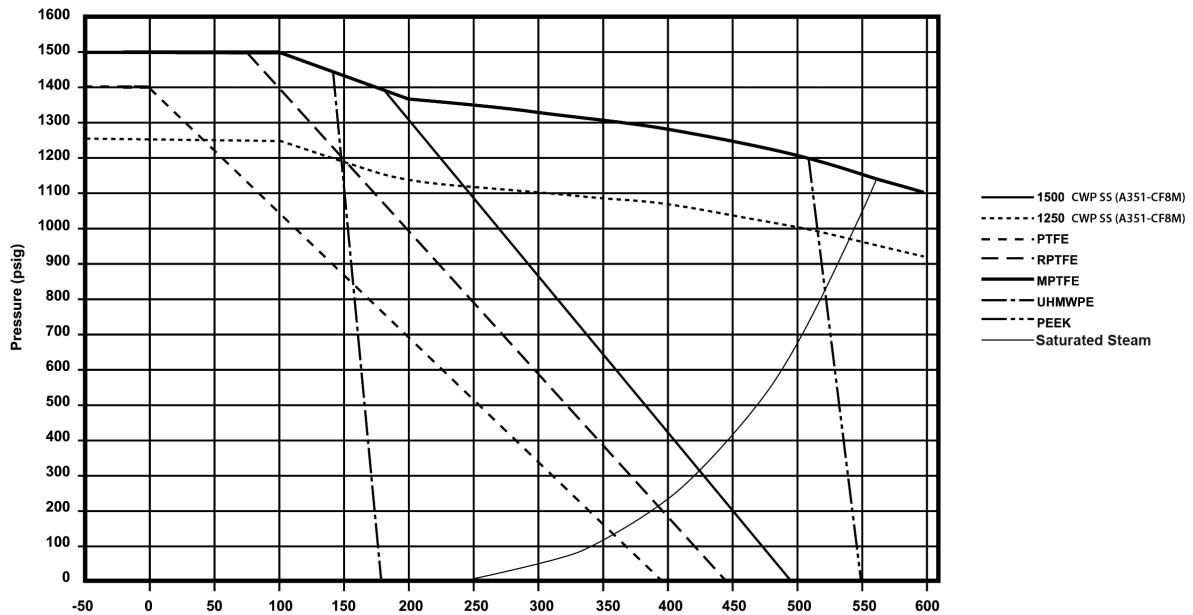
graph 11



1500 CWP

(SS) ASTM A351-CF8M

graph 12





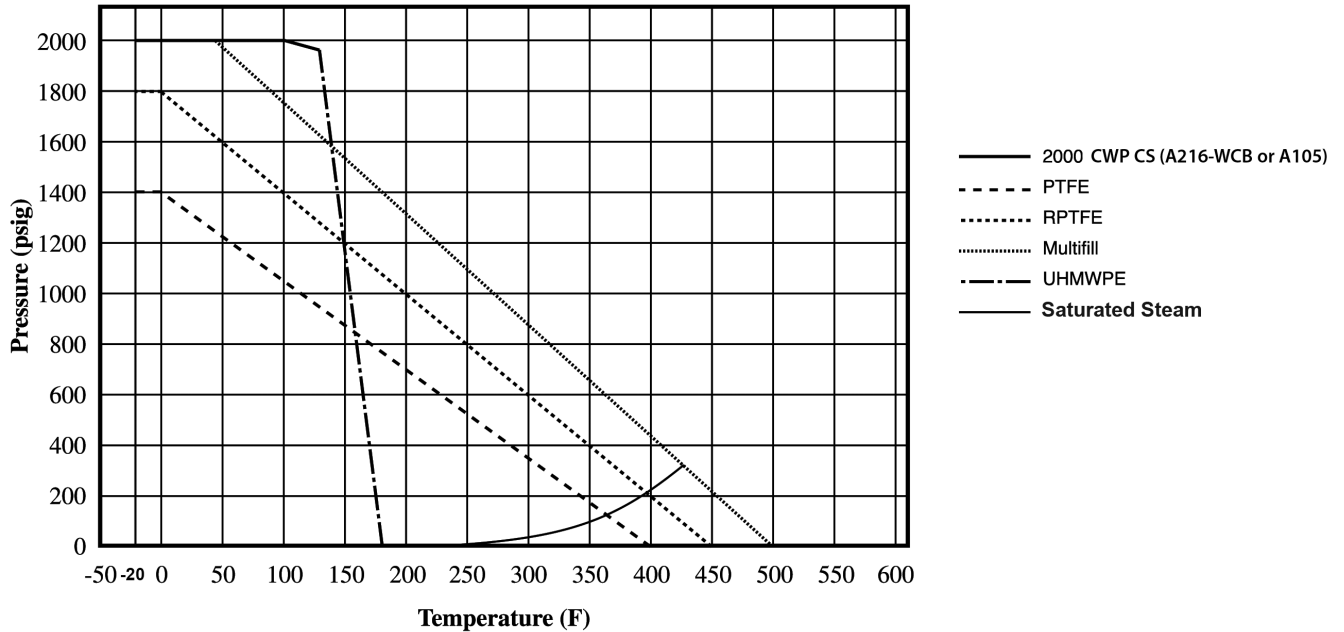
PRESSURE/TEMPERATURE RATINGS

ENGINEERING DATA

2000 CWP

(CS) ASTM A216-WCB OR ASTM A105

graph 13



2000 CWP

(SS) ASTM A351-CF8M

graph 14

